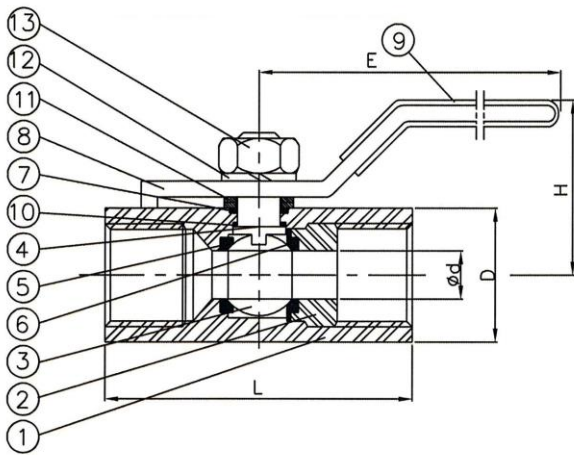


Stainless steel, 1-piece - small series.

Housing	Stainless steel 1.4401/ 1.4408
Ball	Stainless steel 1.4408
Ball seal	RPTFE (15 % glass fibre reinforced)
Stem seal	PTFE
Hand lever	Stainless steel 1.4301 with plastic coating
Operating temperature:	-20 °C to 150 °C
Operating pressure:	max. 63 bar (depending on temperature)



374.01-ES

### Ball valves

Art. No.	Type No.	Port	DN	Ød mm	D mm	H mm	E mm	L mm	Cv Factor	Weight (kg)
103477	374.01-ES	G 1/4	8	5.0	17.5	30.0	62.0	46.5	1.0	0.1
103478	374.02-ES	G 3/8	10	7.0	21.0	30.0	82.0	51.0	2.5	0.1
103479	374.03-ES	G 1/2	15	9.2	25.0	45.0	92.0	64.0	5.5	0.2
103480	374.04-ES	G 3/4	20	12.5	32.0	50.0	94.0	68.0	10.0	0.4

MATERIALS LIST

POS	PART NAME	SPECIFICATION
1	BODY	CF8M
2	INSCREWED SEAT RETAINER	S.S.316
3	BALL	CF8M
4	STEM	S.S.316
5	BALL SEAT	RPTFE
6	CAP SEAT	PTFE
7	PACKING	PTFE
8	HANDLE	S.S.304
9	HANDLE SLEEVE	VINYL GRIP
10	THRUST WASHER	PTFE
11	GLAND	S.S.304
12	WASHER	S.S.304
13	HANDLE NUT	S.S.304

